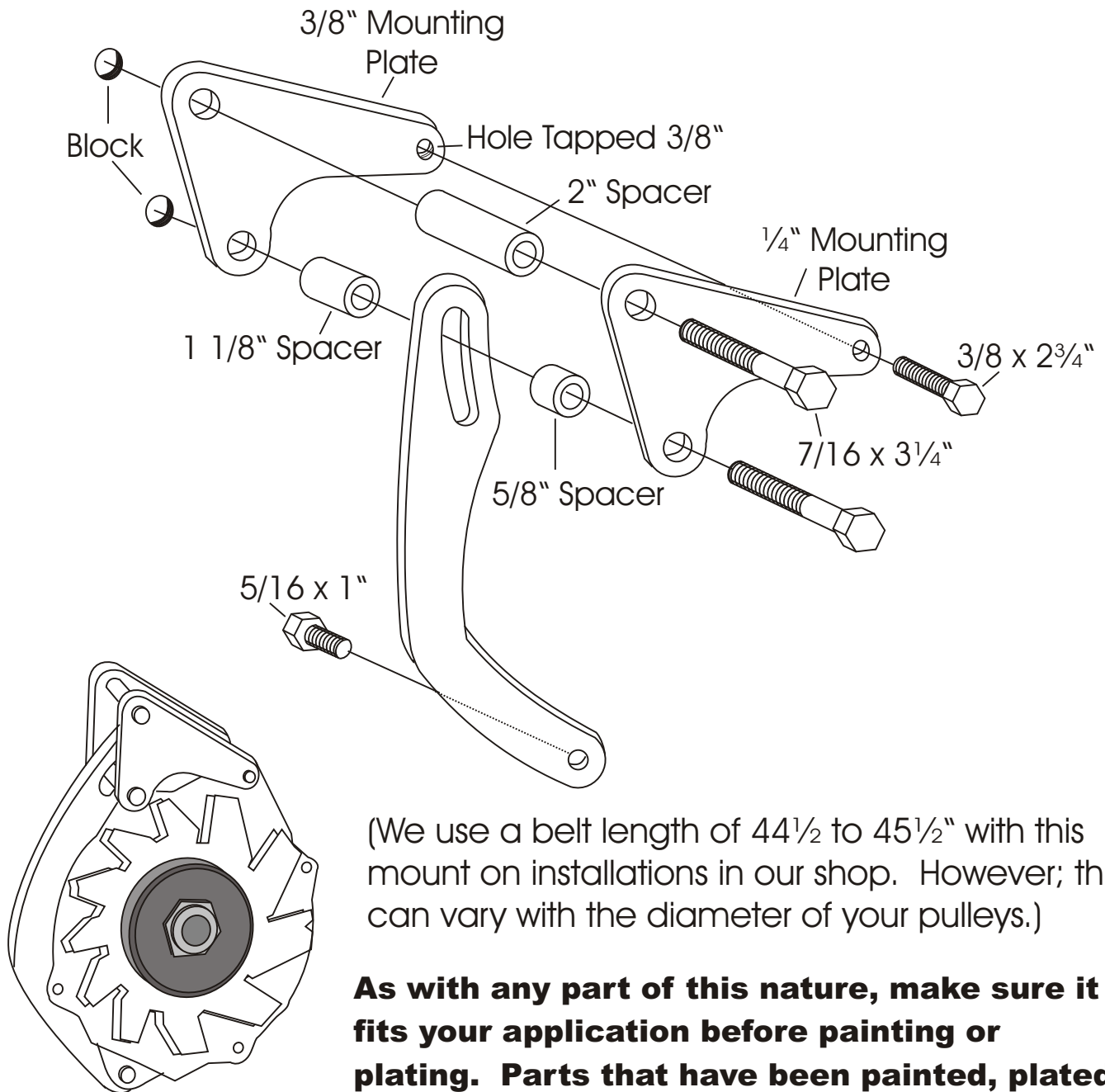
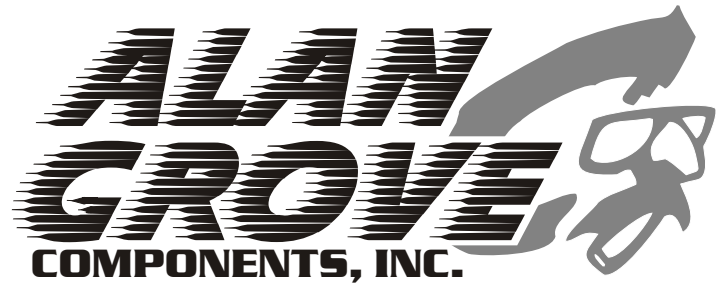


LOWER ALTERNATOR MOUNT 208L

Big Block Chevy - Short Water Pump
Driver's Side



(We use a belt length of 44½ to 45½" with this mount on installations in our shop. However; this can vary with the diameter of your pulleys.)

As with any part of this nature, make sure it fits your application before painting or plating. Parts that have been painted, plated, or modified may not be returned.

**LOWER
ALTERNATOR
MOUNT
208L**

Big Block Chevy - Short Water Pump
Driver's Side

**ALAN GROVE COMPONENTS, INC.
27070 METCALF ROAD
LOUISBURG, KS 66053**